

JOB NAME:

QUANTITY:

ITEM NO.:

SPEC: 23566

PRODUCT NAME:

AUTOMATIC WOK RANGE SWING FAUCET

MODEL:

23566

OPTIONS OR MODIFICATIONS:

OTHER _____

FEATURES:

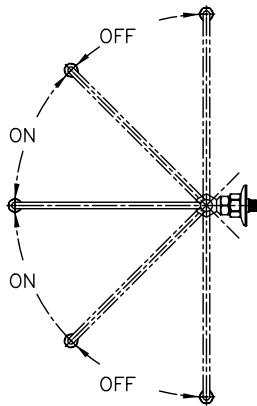
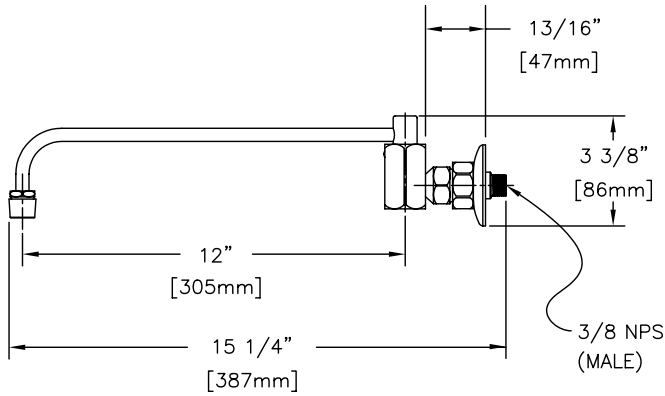
- * RANGE BACK MOUNTED FAUCET
- * FOR COLD WATER ONLY
- * ON – OFF CONTROL ACTUATED WHEN NOZZLE SWINGS RIGHT OR LEFT
- * 12" (305mm) NOZZLE WITH AERATOR
- * 3/8" NPSM MALE INLET

SYSTEM LIMITS:

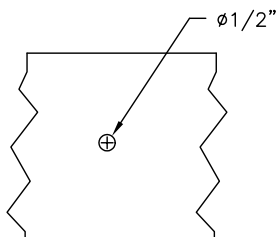
- * MAXIMUM TEMPERATURE: 120° CELSIUS [248° F]
- * MAXIMUM PRESSURE: 200 PSI
- * FLOW RATE: 1.8 GPM – 2.0 GPM @ 60 PSI

SHIPPING WEIGHT

- * 2.3 LBS



ROUGH-IN:



ANSI/A112.18.1M

Distributed by Fisher Manufacturing Company
 P.O. Box 60 Tulare, CA 93725-0060
 Phone 800-421-6162 FAX 800-8-FAUCET (800-832-8238)